



Linen Logistics: Textiles



Laundry Transport Bag
Wickelsack® **6-7**

Laundry Bags, Clasps,
Nets **7-9**

Clean Linen Bag
Patient Laundry Cart **9**



Protective Bed Covers,
Covers **10**





For over 40 years, the **Wickelsack laundry bag** has ensured the efficient and easy transport of laundry from the patient bed to the laundry machine.

The bags are **guaranteed for 1000 washes**, which makes them a cost efficient and **environmentally friendly** solution for laundry transport.



white with stripes



plain coloured



white with doublestripes



plain coloured with doublestripes



white with board stripes



white with vertical stripes



Wickelsack® models SM, SFM, ASM come standard with 2 sewn in toggle closures. The standard toggle colour is red. All bags are equipped with a button hole to permit the use of other closures on the bag.

When ordering, please state model number and colour. Example: **S 12 blue**

Quality 100% Polyester	Capacity	blue	red	green	yellow	brown	grey	white	Model #
white, 2 stripes with sewn toggles	12 kg								SM 12K
plain col., 2 stripes with sewn toggles	12 kg								SFM 12K
white, 2 stripes with sewn toggles	15 kg*								SM 15K
plain col., 2 stripes with sewn toggles	15 kg*								SFM 15K
white, 2 doublestripes with sewn toggles	12 kg								SM 124K
plain col., 2 doublestripes with sewn toggles	12 kg								SFM 124K
white with wide vertical stripes	8 kg								ASM 8K
white with wide vertical stripes	12 kg								ASM 12K

* Laundry transport bags WICKELSACK® with a capacity of 15 kg are produced with round bottoms.

WICKELSACK® is a registered trademark of Hammerlit GmbH.



WICKELSACK with woven text

With a minimum order of 50 pieces per colour, these laundry transport bags are also available with custom individual woven text at reasonable prices. The text is embroidered in an approximately 50 mm additional middle strip. Since these bags are custom made, it is impossible to avoid small deviations of quantity.

Please contact your Hammerlit representative for a quote.



Plain coloured with woven text in second colour



Broad stripes with woven text in second colour



Special marking

Colour coding and labelling can help achieve better organization for the separation of laundry. Our „halitext“ system is ideal for this purpose. A metal stencil of the text or symbol is made. With the stencil the signs can then be sprayed onto the bags. This can be done in 4 different colours – red, green, yellow and blue – which are boilable and absolutely colourfast.

Closed bags



GSM 12ZKBLAU

Closed bags (12 or 15 kg) are delivered with cord and bottom hanger.

Other clasps on request, special marking possible.

GSM 12 ZK:

W x H: approx. 620 mm x 1000 mm

GSM 15 ZK:

Ø approx. 395 mm

H: approx. 1000 mm

Patient Laundry Transport Bag

This bag equipped with a cord and hanger and a capacity of 6 kg is made to collect personal clothes for laundry.

Size: 500 x 700 mm;

Material: 100 % Polyester.



GSFM 6ZKBLAU

Quality 100% Polyester	Capacity	blue	red	green	yellow	brown	grey	white	Model #
white, 2 stripes	12 kg	■	■	■	■	■	■	■	GSM 12ZK
plain colour, 2 stripes	12 kg	■	■	■	■	■	■	■	GSFM 12ZK
white, 2 stripes	15 kg*	■	■	■	■	■	■	■	GSM 15ZK
plain colour, 2 stripes	15 kg*	■	■	■	■	■	■	■	GSFM 15ZK

* Laundry transport bags WICKELSACK with a capacity of 15 kg are produced with round bottoms.

Quality 100% Polyester	Capacity	blue	red	green	yellow	brown	grey	white	Model #
white, 1 stripe	6 kg	■	■	■	■	■	■	■	GSM 6ZK
plain colour, 1 stripe	6 kg	■	■	■	■	■	■	■	GSFM 6ZK

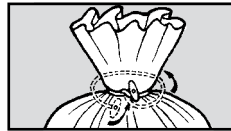
Clasps

Various clasps have been developed by Hammerlit, all to connect the laundry transport wrap bag WICKELSACK by means of its button-hole. During years of availability, the rubber toggle also has proven its quality.

KH Toggle



Model # KH and colour

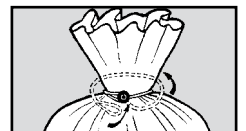


... Millions sold. Since it is attached directly to the bag, it is always accessible and ready for use. Available colours are: red, yellow, green, blue, brown and white.

haliloc



Model # KW and colour

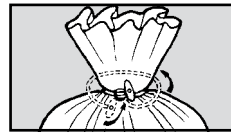


... Attaches to the Wickelsack by button. Available button colours are: red, yellow, green and white.

Combi toggle



Model # KTH and colour

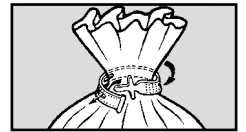


... Is permanently attached to the bag. Available colours are: blue, red, yellow, green and white.

Rubber clasp



Model # KNU and colour



... Available in 7 colours: red, yellow, green, blue, brown, black and white. The ribbed sides ensure maximum grip.

Laundry Nets

Laundry nets



Especially high quality. Made of 100 % Polyester, they are boil-proof and will not fade. Model # WN 6090 is also ideal for storing recycling materials.

Generally spoken laundry nets should only be filled with 40 % of maximum capacity to have good results of washing.

Clasps for laundry nets

The toggles are attached to the net and cannot get lost. On request plastic parts can be delivered with individual marking. Available in **red, yellow, green, blue, brown and white.**



Model # DNA and colour



Also available with individual marking.

Laundry nets with zipper

Our laundry nets are easy to use and do not require an additional clasp, due to the sewn-in zipper. They have a 30 % higher volume capacity than standard nets.



Also available with button clasps.

Size mm	colours (colour code)	Model # Standard	Model # with zipper
400 x 600	white	WN 4060 WHITE	WN 460RG
	green (1), blue (2), red (3), yellow (4), brown (5)	WNF 4060 + colour	WN 46 colourcode RG
600 x 900	white	WN 6090 WHITE	WN 690RG
	green (1), blue (2), red (3), yellow (4), brown (5)	WNF 6090 + colour	WN 69 colourcode RG
800 x 1300	white	WN 8013 WHITE	WN 810RG
	green (1), blue (2), red (3), yellow (4), brown (5)	WNF 8013 + colour	WN 81 colourcode RG

E.g. WNF 4060 red for a standard net colour red; WN 462RG for a blue net with zipper.

Clean linen bag

Transporting the fresh linen from the laundry to the supply room must be carried out under the same hygienic standards as those that apply to the transport of soiled linen.

The fresh linen should therefore be packed into a dustproof, germproof bag immediately after washing and/or sterilizing.



Just folding four cloth flaps over one another ensures that the bag is safely closed. No additional clasp is necessary.

A special pocket has been provided for a plastic label indicating the contents of the bag and its destination.

Clean linen bag, 100% Polyester
 Dimensions: 400 x 400 x 400 mm
 Contents: approx. 65 litres
 Capacity: approx. 15–20 kg
 Weight empty: 550 g
 Colours: red, yellow, green, blue and brown
 Handles: 2 plastic sticks

Model # **WTM 21** and colour code

Mobile bag carrier

Weight: 8 kg
 Material: STAINLESS STEEL frame, high-pressure laminated board
 Wheels: 4 high-polish galvanized swivel-casters, Ø 75 mm, 2 of these with double brake

Model # **ST 16**

Labels,

ASTRALON
 Size: 75 x 135 mm
 Colours: white, green, blue, red, yellow and black
 Engraving: Text of your choice, maximum of 12 letters per line

Model # **SI** and colour code

Patient Laundry Sorting Cart

All **private washing** in senior citizens' homes must be sorted in various laundry bags according to the different laundering methods and temperatures.



Laundry sorting/collecting cart

Length: 1403 mm
 Width: 553 mm
 Height, with lid open: 1210 mm
 Height with lid closed: 940 mm
 Weight: 25 kg
 Wheels: 4 swivel castors, Ø 75 mm zinc-chromatised

Frame: STAINLESS STEEL
 Lid: ABS
 Impact-proofing: plastic, Ø 75 mm

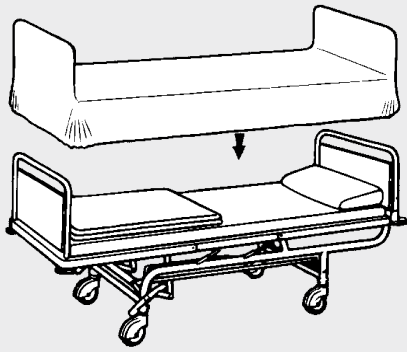
Model # **W 560 DLD**

Accessories:

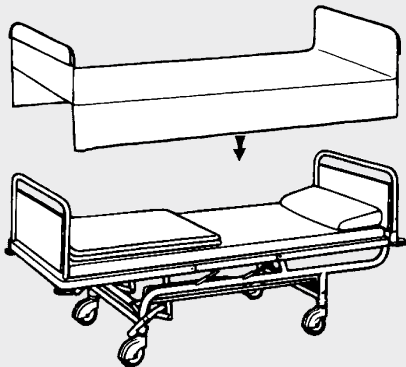
Wall protection for one-piece lid

Model # **SG 560**

Head and foot boards are completely covered.



Head and foot boards are only fully covered on the inside of the bed.



Material: 100 % woven polyester, wrinkle-free,

can withstand boiling temperatures

Material weight: 220 g/m²

Colour: white

Bed cover weight: 1,4 kg

Size: fits beds: 200 x 90 cm

Model # BSH 210

with access slit for reclining mechanism

Model # BSH 211

Material: 100 % woven polyester, wrinkle-free,

can withstand boiling temperatures

Material weight: 220 g/m²

Colour: white

Bed cover weight: 1,1 kg

Size: fits beds: 200 x 90 cm

Model # BSH 200

with access slit for reclining mechanism

Model # BSH 201

All models of protective bed covers are available in a wide variety of sizes. Custom size covers for bedside tables and custom beds are also available.

Covers

are available for every size cart. Also available coloured, water-tight and / or with special marking (see also page 133). Please contact **your Hammerlit representative for more information.**



Cover for Patient Item Cart



Cover for Combi-car